

Intuitive control panel for heated front face, boost heating, towel warming and fast drying function

Boost heating with easy-to-clean filter housing

Infrared heated glass door with soft-close function

Easy-to-clean inner case



Health factor: hygiene
The intelligent drying function significantly reduces the build-up of bacteria on damp towels and textiles, creating a healthier bathroom environment.

Customisable

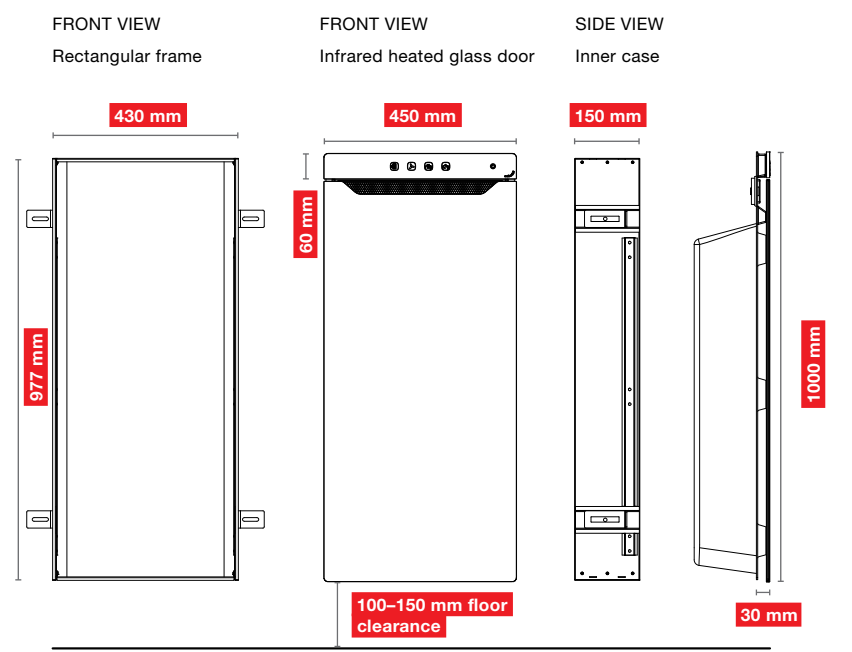


An intuitive app for setting daily and weekly programmes and remote control for activating functions. Customisable heat setting and video introduction with tips and tricks. The app is available for the iOS and Android operating systems.

Technical information

- Boost heating and fast drying with integrated 1000 watt boost heater
- Conforms to “Ecodesign 2018” Directive
- CE-compliant
- Degree of protection IP44 (splash-proof)
- Electrical protection class I and II (EN 61140)
- Safety of electrical devices tested for domestic use (EN 60335)
- Hinges certified (EN 15570)
- Infrared heated glass door tested (VDI 6036, requirements class 2)
- Space for two 140 x 70 cm towels

In-wall installation



Further information about Zehnder Zenia can be found at www.Zehnder-Zenia.com

Zehnder Group Deutschland GmbH · Sales International
Almweg 34 · 77933 Lahr · Germany
T +49 7821 586-392 · F +49 7821 586-406
sales.international@zehndergroup.com · www.international.zehnder-systems.com



Z_MASTER_V0117_RAD_FLY_Zenia, en, subject to change without notice



zehnder
always the best climate

- Decorative radiators
- Comfortable indoor ventilation
- Heating and cooling ceiling systems
- Clean air solutions

DESIGN PLUS
powered by **ISH**

Always the best climate for

BATHROOM BLISS

Zehnder Zenia multifunctional bathroom heater:
setting trends for bathrooms and wellbeing

A new level of bathroom comfort

The first multifunctional bathroom heater which helps you enjoy your time in the bathroom for longer. Zehnder Zenia provides fast, pleasant heat in the bathroom, independent of the central heating system. At the same time you can dry and warm towels behind a visually appealing infrared heated glass door. This not only improves wellbeing in the bathroom, but also creates better hygiene, aesthetics and tidiness.

Tidy design

Make untidiness a thing of the past with overloaded radiators: Zehnder Zenia creates order in the bathroom and conceals everything behind an infrared heated glass door integrated elegantly into the bathroom design.

Making your daily routine a joy

The radiant heat of the infrared heated glass door quickly creates a feeling of cosiness – whether you're starting the day, showering after sport or having a relaxing evening soak.



Fast heating

Rapid response times with boost heating: Zehnder Zenia offers heat on demand for textiles, towels or just the room in general. Pleasant heating with a quick touch.

Quick drying

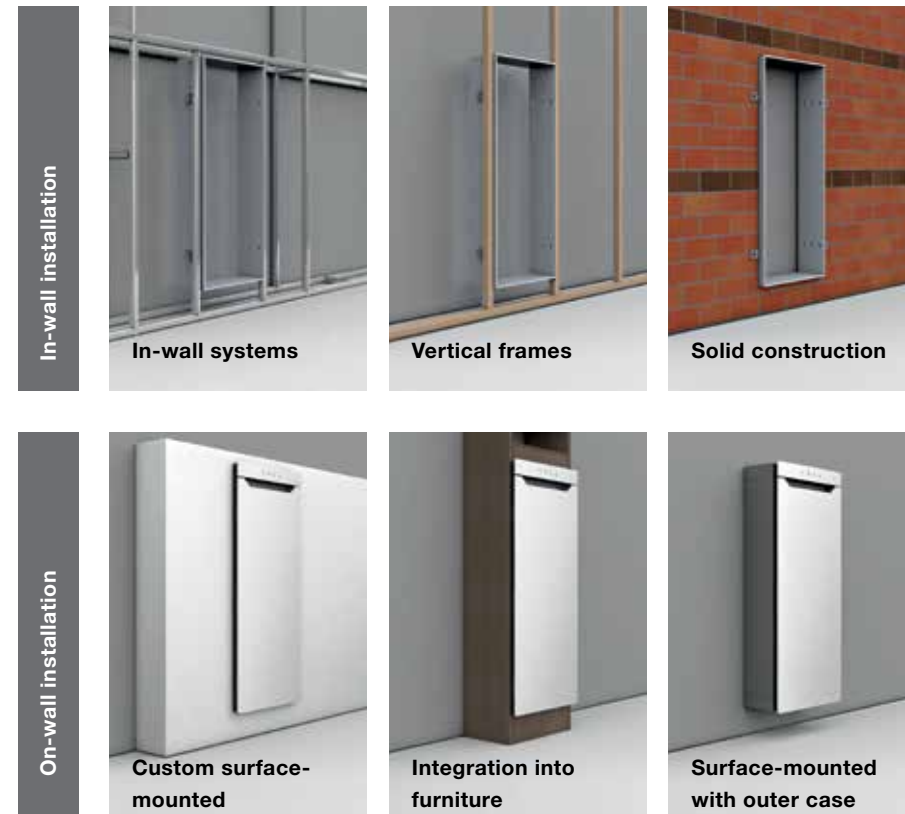
Never go without dry, warm and hygienic towels again. The fast drying function significantly reduces the build-up of bacteria and meets the highest standards in hygiene.



A flexible system for almost any installation situation

With the option of in-wall or on-wall installation, Zehnder Zenia also affords installers and planners a great deal of freedom. The modular mounting concept offers the right solution for a variety of installation options and every planning situation.

Various installation conditions



A modular system with well thought mounting

Step 1

Installation of the rectangular frame in the in-wall system with four adjustable mounting brackets; preparation of the mains power supply

Step 3

After completing all structural work: installation of the inner case in the rectangular frame, connection of the controller

Step 2

After plastering and tiling, the depth of the rectangular frame can be adjusted

Step 4

Installation of the infrared heated glass door in the inner case, connection of the controller, start-up

